

GENERAL TECHNICAL CHARACTERISTICS 技术特性

Reference standards 参考标准	IEC 61071, IEC 60068
Dielectric 介质材料	Polypropylene film
Construction 封装结构	Dry construction, Non-inductive type
Case 外壳材料	Polyester tape wrapping; UL94V-0 material filling
Output 引出端	Threaded insert M5, M6 or M8, 2 Lugs

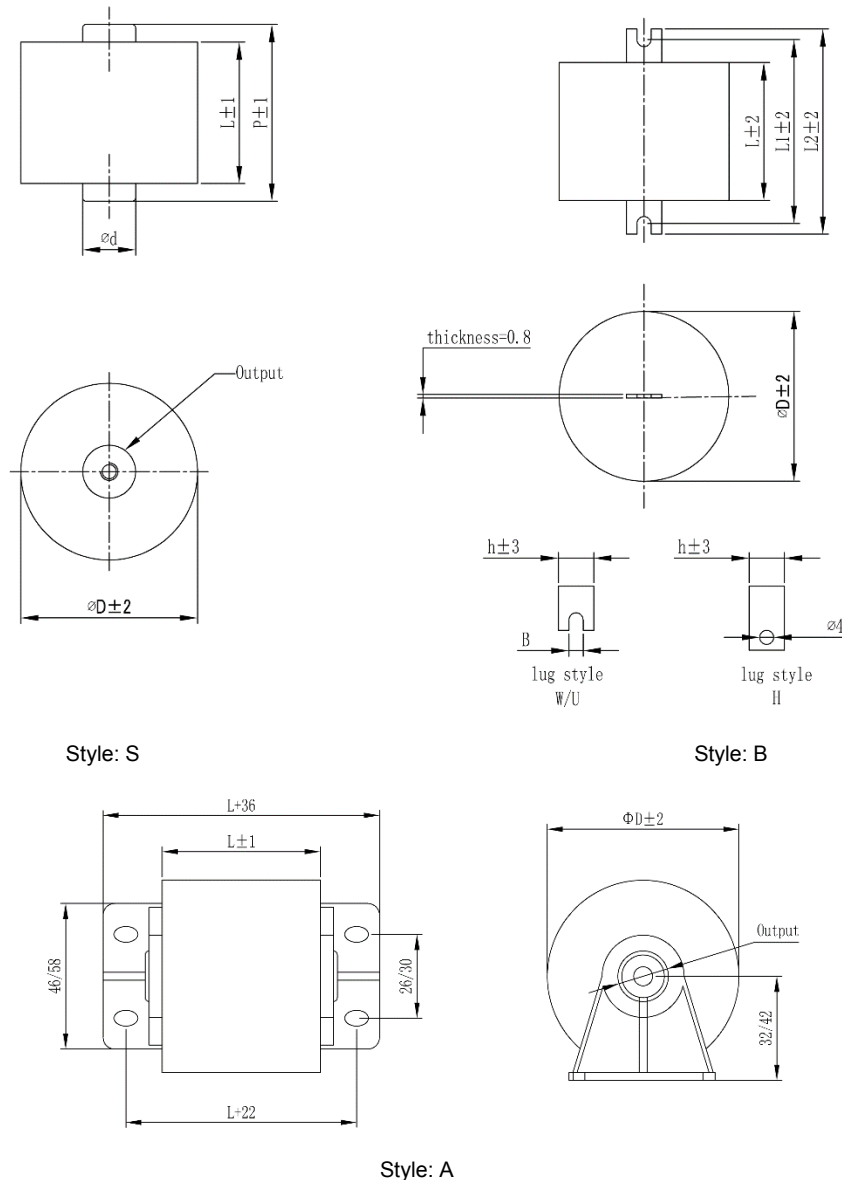
ELECTRICAL CHARACTERISTICS 电气特性

Operating temperature 工作温度范围	- 40 to + 85 °C
Capacitance range 容量范围	1 to 200µF
Rated voltage range 额定电压	400, 800, 1000Vdc (permissible AC voltage at 50/60Hz 250,400,500Vac)
Capacitance tolerance 容量偏差	± 5%, ± 10%
Dissipation factor 损耗角正切	≤10×10 ⁻⁴ Measured at 100 Hz and 20±5°C
Life expectancy 预期寿命	100,000 hours at U _{NDC} and 70 °C (Hot-spot temperature)

TEST METHODS AND PERFORMANCES 测试方法

Dielectric strength 介质强度	1.6×U _{NDC} applied to 10s at 20±5 °C
Test voltage terminal to case 端壳耐压	3KVAC/50Hz for 60s
Insulation resistance(IR*C _N) 绝缘电阻	≥5000s but need not exceed 30GΩ, after 1 minute of electrification at 100Vdc (20±5°C)

OUTLINE DRAWING 外形图



OUTLINE DRAWING 外形图

L (mm)	Lug style W		Lug style U		Lug style H	
	L1	L2	L1	L2	L1	L2
35	/	/	L+22	L+32	L+11	L+18
44	/	/	L+23	L+33	L+12	L+19
60	L+18	L+32	L+22	L+32	L+11	L+18

Output	d	Lug		
M5*8	14mm	H	U	W
M6*8	15mm	h=9mm	h=10mm	h=14mm
M8*8	18mm		B=4.5mm	B=4.5mm

HOW TO ORDER:

<u> </u> K1M <u> </u>	<u> </u> 401D <u> </u>	<u> </u> 206 <u> </u>	<u> </u> K <u> </u>	<u> </u> R <u> </u>	<u> </u> 44 <u> </u>	<u> </u> F <u> </u>	<u> </u> 6 <u> </u>	<u> </u> S <u> </u>	<u> </u> *** <u> </u>
Series Code:	Voltage:	Capacitance:	Cap. Tol.:	Shape:	Length:	Output:	Output	Style:	Internal
K1M:	101D: 100Vdc	106: 10µF	J: ± 5%,	R: Round	L=44mm	F: Thread	Type:	S, A, B	Code
AGM Series	102D: 1000Vdc	105: 1.0µF	K: ± 10%			L: Lug	5: M5*8, 6: M6*8 8: M8*8, H, U, W		

ELECTRICAL SPECIFICATION 规格型号参考

Unit: mm

Outputs: threaded insert M5, M6 or M8

Part Number	Cap (µF)	Dimension (Insert)			Output Insert	Du/dt (v/µs)	Imax@60°C @10KHz (A)	ESR @1.0KHz (mΩ)
		D	L	P				
U_{NDC} 400Vdc, Urms 250Vac								
K1M401D206KR50F5#***	20	41.0	50.0	62.0	M5*8	60	27	3.2
K1M401D256KR50F6#***	25	47.0	50.0	62.0	M6*8	60	32	2.7
K1M401D306KR50F6#***	30	50.0	50.0	62.0	M6*8	60	37	2.5
K1M401D406KR50F6#***	40	58.0	50.0	62.0	M6*8	60	46	2.1
K1M401D506KR50F8#***	50	64.0	50.0	62.0	M8*8	60	54	1.9
K1M401D506KR64F6#***	50	53.0	64.0	77.0	M6*8	30	40	2.7
K1M401D606KR64F6#***	60	58.0	64.0	77.0	M6*8	30	46	2.4
K1M401D806KR64F8#***	80	66.0	64.0	77.0	M8*8	30	56	2.1
K1M401D107KR64F8#***	100	74.0	64.0	77.0	M8*8	30	66	1.9
K1M401D157KR64F8#***	150	90.0	64.0	77.0	M8*8	30	90	1.6
K1M401D207KR64F8#***	200	104.0	64.0	77.0	M8*8	30	100	1.2
U_{NDC} 800Vdc, Urms 400Vac								
K1M801D106KR50F5#***	10	36.5	50.0	62.0	M5*8	70	23	4.3
K1M801D156KR50F6#***	15	45.0	50.0	62.0	M6*8	70	32	3.2
K1M801D206KR50F6#***	20	52.0	50.0	62.0	M6*8	70	39	2.6
K1M801D256KR50F6#***	25	58.0	50.0	62.0	M6*8	70	46	2.3
K1M801D306KR50F8#***	30	63.0	50.0	62.0	M8*8	70	52	2.1
K1M801D306KR64F6#***	30	55.0	64.0	77.0	M6*8	50	39	3.1
K1M801D406KR64F8#***	40	63.0	64.0	77.0	M8*8	50	48	2.6
K1M801D506KR64F8#***	50	70.0	64.0	77.0	M8*8	50	57	2.3
K1M801D606KR64F8#***	60	76.0	64.0	77.0	M8*8	50	65	2.1
K1M801D806KR64F8#***	80	88.0	64.0	77.0	M8*8	50	80	1.8
K1M801D107KR64F8#***	100	98.0	64.0	77.0	M8*8	50	95	1.6
U_{NDC} 1000Vdc, Urms 500Vac								
K1M102D505KR50F5#***	5.0	41.0	50.0	62.0	M5*8	120	23	5.4
K1M102D106KR50F6#***	10	58.0	50.0	62.0	M6*8	120	38	3.2
K1M102D156KR50F8#***	15	70.0	50.0	62.0	M8*8	120	52	2.5
K1M102D156KR64F6#***	15	58.0	64.0	77.0	M6*8	80	38	3.9
K1M102D206KR64F8#***	20	66.0	64.0	77.0	M8*8	80	47	3.1
K1M102D256KR64F8#***	25	74.0	64.0	77.0	M8*8	80	56	2.7
K1M102D306KR64F8#***	30	81.0	64.0	77.0	M8*8	80	64	2.4
K1M102D406KR64F8#***	40	93.0	64.0	77.0	M8*8	80	79	2.1
K1M102D506KR64F8#***	50	104.0	64.0	77.0	M8*8	80	90	1.9

Remark: 1. # Style; *** Internal code.

2. Customization for special specification and requirement is available.

ELECTRICAL SPECIFICATION 规格型号参考

Unit: mm

Outputs: Lug

Part Number	Cap (μF)	Dimension (Outputs: Lug)				Du/dt (v/μs)	I _{max} @60°C @10KHz (A)	ESR @1.0KHz (mΩ)
		D	L	h	Lug style			
U_{NDC} 400Vdc, Urms 250Vac								
K1M401D305KR35LH#***	3.0	21.0	35.0	9.0	H	74	9	8.7
K1M401D505KR35LH#***	5.0	26.0	35.0	9.0	H	74	13	5.6
K1M401D505KR44LH#***	5.0	22.0	44.0	9.0	H	60	10	9.7
K1M401D106KR44LH#***	10	30.0	44.0	9.0	H	60	16	5.4
K1M401D106KR60LH#***	10	25.0	60.0	9.0	H	30	12	9.6
K1M401D156KR44LH#***	15	36.0	44.0	9.0	H	60	22	3.9
K1M401D156KR60LH#***	15	30.0	60.0	9.0	H	30	16	6.7
K1M401D206KR44LU#***	20	41.0	44.0	10.0	U	60	27	3.2
K1M401D206KR60LU#***	20	34.0	60.0	10.0	U	30	20	5.3
K1M401D256KR44LU#***	25	47.0	44.0	10.0	U	60	32	2.7
K1M401D256KR60LU#***	25	37.0	60.0	10.0	U	30	23	4.4
K1M401D306KR44LU#***	30	50.0	44.0	10.0	U	60	36	2.5
K1M401D306KR60LU#***	30	41.0	60.0	10.0	U	30	27	3.9
K1M401D406KR44LU#***	40	58.0	44.0	10.0	U	60	45	2.1
K1M401D406KR60LU#***	40	48.0	60.0	10.0	U	30	34	3.1
K1M401D506KR60LW#***	50	53.0	60.0	14.0	W	30	40	2.7
K1M401D606KR60LW#***	60	58.0	60.0	14.0	W	30	46	2.4
U_{NDC} 800Vdc, Urms 400Vac								
K1M801D205KR35LH#***	2.0	22.0	35.0	9.0	H	110	10	10.8
K1M801D305KR35LH#***	3.0	27.0	35.0	9.0	H	110	14	7.5
K1M801D505KR35LH#***	5.0	34.0	35.0	9.0	H	70	16	5.9
K1M801D505KR44LH#***	5.0	27.0	44.0	9.0	H	50	10	10.6
K1M801D106KR44LU#***	10	36.5	44.0	10.0	U	70	22	3.8
K1M801D106KR60LU#***	10	30.0	60.0	10.0	U	50	17	5.8
K1M801D156KR44LU#***	15	45.0	44.0	10.0	U	70	31	2.9
K1M801D156KR60LU#***	15	39.0	60.0	10.0	U	50	23	4.2
K1M801D206KR44LU#***	20	51.0	44.0	10.0	U	70	38	2.4
K1M801D206KR60LU#***	20	45.0	60.0	10.0	U	50	30	3.4
K1M801D256KR60LU#***	25	50.0	60.0	10.0	U	50	35	2.9
K1M801D306KR60LW#***	30	55.0	60.0	14.0	W	50	40	2.6
K1M801D406KR60LW#***	40	63.0	60.0	14.0	W	50	49	2.2
U_{NDC} 1000Vdc, Urms 500Vac								
K1M102D105KR35LH#***	1.0	23.0	35.0	9.0	H	190	9	12.5
K1M102D205KR35LH#***	2.0	32.0	35.0	9.0	H	190	15	6.7
K1M102D205KR44LH#***	2.0	27.0	44.0	9.0	H	120	11	11.9
K1M102D305KR44LH#***	3.0	32.0	44.0	9.0	H	120	17	8.3
K1M102D305KR60LH#***	3.0	27.0	60.0	9.0	H	80	13	15.3
K1M102D505KR44LU#***	5.0	41.0	44.0	10.0	U	120	23	5.4
K1M102D505KR60LU#***	5.0	34.0	60.0	10.0	U	80	17	9.6
K1M102D106KR60LU#***	10	48.0	60.0	10.0	U	80	29	5.3
K1M102D156KR60LW#***	15	58.0	60.0	14.0	W	80	38	3.9
K1M102D206KR60LW#***	20	67.0	60.0	14.0	W	80	47	3.1

Remark: 1. # Style; *** Internal code.

2. Customization for special specification and requirement is available.