

GENERAL TECHNICAL CHARACTERISTICS 技术特性

Reference standards 参考标准	IEC 61071, IEC 60068
Dielectric 介质材料	Polypropylene film
Construction 封装结构	Dry construction, non-inductive type
Case 外壳材料	Aluminum case
Output 引出端	Threaded insert M8 or M10, Lead screw M8

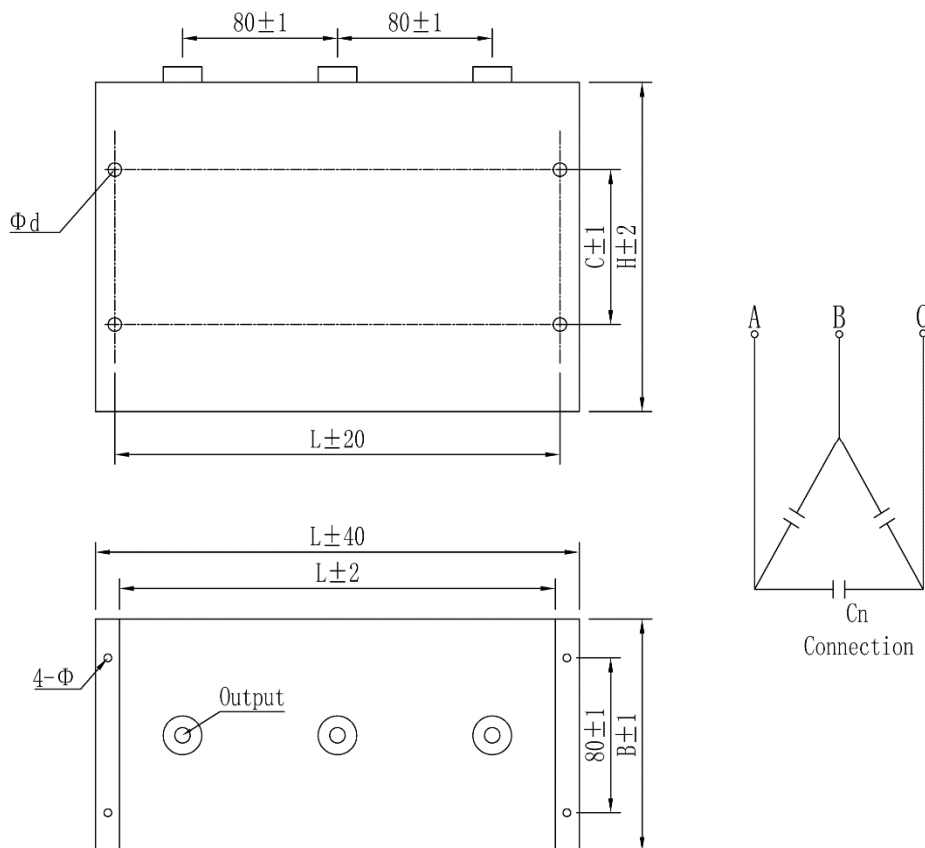
ELECTRICAL CHARACTERISTICS 电气特性

Operating temperature 工作温度范围	- 40 to + 85 °C
Capacitance range 容量范围	3 x 20 to 3 x 500 μF
Rated voltage range 额定电压	400 to 1000 Vac
Capacitance tolerance 容量偏差	± 5%, ± 10%
Dissipation factor 损耗角正切	≤ 2.0 × 10 ⁻³ Measured at 100 Hz and 20±5°C
Self inductance 自感系数	≤ 100nH
Life expectancy 预期寿命	30,000 hours at Urms and 70 °C (Hot-spot temperature)

TEST METHODS AND PERFORMANCES 测试方法

Dielectric strength 介质强度	1.5 × Urms applied to 10s at 20±5 °C
Test voltage terminal to case 端壳耐压	3KVAC/50Hz for 10s
Insulation resistance (IR * C _N) 绝缘电阻	≥ 5000s but need not exceed 30GΩ, after 1 minute of electrification at 100VDC (20±5°C)

OUTLINE DRAWING 外形图



Case code:

Unit: mm

Case code	L	B	H	C	d	Output	Torque
A4	225	120	170	80	7	M8 x 10	8.5 N.M Max
A5	225	120	235	100	7	M8 x 10	8.5 N.M Max
A6	295	120	235	100	9	M10 x 10	12 N.M Max
A7	365	120	235	120	9	M10 x 10	12 N.M Max

HOW TO ORDER:

<u> K9M </u>	<u> 551A </u>	<u> 187 </u>	<u> K </u>	<u> S </u>	<u> F </u>	<u> 6 </u>	<u> D </u>	<u> *** </u>
Series Code:	Voltage:	Capacitance:	Cap. Tol.:	Shape:	Output:	Case Code:	D: Connection	Internal
K9M:	551A: 550Vac	187: 180μF	J: ± 5%,	S: Square	F: Thread	4: A4, 5: A5	for Delta	Code
AFM Series	102A:1000Vac	1356: 135μF	K: ± 10%		M: Lead screw	6: A6, 7: A7		
		106: 10μF						

ELECTRICAL SPECIFICATION 规格型号参考

Unit: mm

Part Number	Capacitance (μF)	ESR @1.0KHz (mΩ)	I _{max} @45°C @10KHz (A)	Case code	R _{th} (K/W)	Weight (Kg)
Urms 400Vac, Upeak 565V						
K9M401A207KS##D***	3×200	3×0.95	3×90	A4	1.1	6.2
K9M401A307KS##D***	3×300	3×0.88	3×115	A5	0.9	8.7
K9M401A407KS##D***	3×400	3×0.83	3×155	A6	0.7	11.2
K9M401A507KS##D***	3×500	3×0.80	3×160	A7	0.6	14.5
Urms 500Vac, Upeak 710V						
K9M501A127KS##D***	3×120	3×1.01	3×65	A4	1.1	6.2
K9M501A187KS##D***	3×180	3×0.92	3×90	A5	0.9	8.7
K9M501A247KS##D***	3×240	3×0.86	3×130	A6	0.7	11.2
K9M501A307KS##D***	3×300	3×0.83	3×155	A7	0.6	14.5
Urms 550Vac, Upeak 780V						
K9M551A906KS##D***	3×90	3×1.86	3×65	A4	1.1	6.2
K9M551A1356KS##D***	3×135	3×1.49	3×80	A5	0.9	8.7
K9M551A187KS##D***	3×180	3×1.28	3×105	A6	0.7	11.2
K9M551A2256KS##D***	3×225	3×1.19	3×130	A7	0.6	14.5
Urms 690Vac, Upeak 975V						
K9M691A506KS##D***	3×50	3×2.03	3×55	A4	1.1	6.2
K9M691A756KS##D***	3×75	3×1.64	3×80	A5	0.9	8.7
K9M691A107KS##D***	3×100	3×1.39	3×105	A6	0.7	11.2
K9M691A1256KS##D***	3×125	3×1.28	3×130	A7	0.6	14.5
Urms 850Vac, Upeak 1200V						
K9M851A306KS##D***	3×30	3×2.36	3×40	A4	1.1	6.2
K9M851A456KS##D***	3×45	3×1.85	3×65	A5	0.9	8.7
K9M851A656KS##D***	3×65	3×1.50	3×95	A6	0.7	11.2
K9M851A806KS##D***	3×80	3×1.38	3×105	A7	0.6	14.5
Urms 1000Vac, Upeak 1410V						
K9M102A206KS##D***	3×20	3×2.68	3×30	A4	1.1	6.2
K9M102A306KS##D***	3×30	3×2.07	3×55	A5	0.9	8.7
K9M102A456KS##D***	3×45	3×1.63	3×65	A6	0.7	11.2
K9M102A556KS##D***	3×55	3×1.43	3×95	A7	0.6	14.5

Remark: 1. ## Output and case code; *** Internal code.

2. Customization for special specification and requirement is available.