

### GENERAL TECHNICAL CHARACTERISTICS 技术特性

Reference standards 参考标准	IEC 61071, IEC 60068
Dielectric 介质材料	Polypropylene film
Construction 封装结构	Dry construction, non-inductive type
Case 外壳材料	Cylinder aluminum case
Output 引出端	Threaded insert M6, bolt available

### ELECTRICAL CHARACTERISTICS 电气特性

Operating temperature 工作温度范围	- 40 to + 85 °C
Capacitance range 容量范围	18 to 4800 µF
Rated voltage range 额定电压	700 to 4000 Vdc
Capacitance tolerance 容量偏差	± 5%, ± 10%
Dissipation factor 损耗角正切	≤ 3 × 10 <sup>-3</sup> Measured at 100 Hz and 20±5°C
Life expectancy 预期寿命	100,000 hours at U <sub>NDC</sub> and 70 °C (Hot-spot temperature)

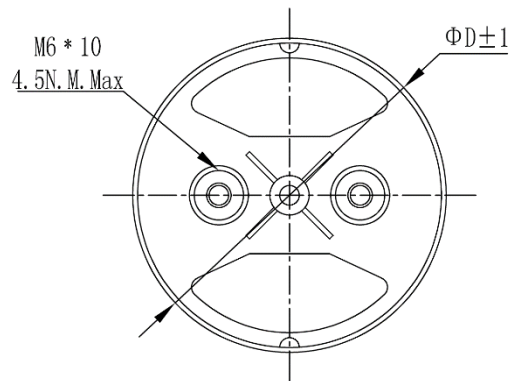
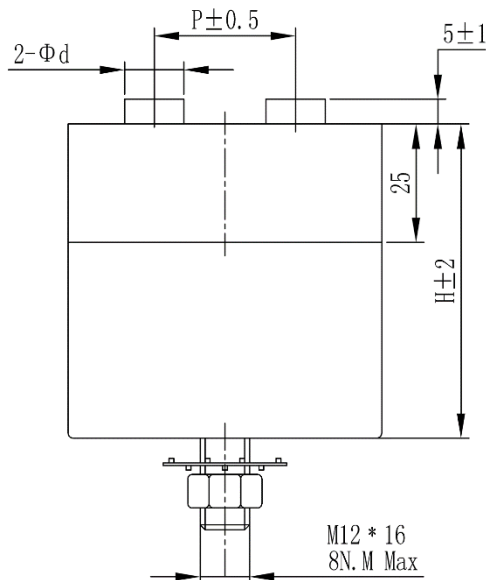
### TEST METHODS AND PERFORMANCES 测试方法

Dielectric strength 介质强度	1.5 × U <sub>NDC</sub> applied to 10s at 20±5 °C
Test voltage terminal to case 端壳耐压	≥ (1.5 × U <sub>NDC</sub> + 1000) VAC/50Hz for 10s
Insulation resistance (IR * C <sub>N</sub> ) 绝缘电阻	≥ 10000s but need not exceed 30GΩ, after 1 minute of electrification at 100VDC (20±5°C)

### OVER-VOLTAGE 过压保护

1.10 × U <sub>NDC</sub> for maximum 8 Hour per day
1.15 × U <sub>NDC</sub> for maximum 30 minimum per day
1.20 × U <sub>NDC</sub> for maximum 5 minimum per day
1.30 × U <sub>NDC</sub> for maximum 1 minimum per day
1.50 × U <sub>NDC</sub> for 30 ms no more than 1000 times

### OUTLINE DRAWING 外形图



Diameter Code	D(mm)	d(mm)	P(mm)
A	76	12.5	32
B	86	12.5	32
C	96	12.5	45
D	116	14	50
E	136	14	50

### HOW TO ORDER:

<u>    </u> K2P <u>    </u>	<u>    </u> 112D <u>    </u>	<u>    </u> 187 <u>    </u>	<u>    </u> K <u>    </u>	<u>    </u> R <u>    </u>	<u>    </u> A <u>    </u>	<u>    </u> F <u>    </u>	<u>    </u> 7 <u>    </u>	<u>    </u> S <u>    </u>	<u>    </u> *** <u>    </u>
Series Code:	Voltage:	Capacitance:	Cap. Tol.:	Shape:	Diameter	Output:	Output	Installation	Internal
K2P:	901D: 900Vdc	107: 100µF	J: ± 5%,	R: Round	Code:	F: Thread	Size:	Method:	Code
ADP Series	112D: 1100Vdc	2756: 275µF	K: ± 10%		A, B, C,	M: Lead	7: M6*10	C: Clamp	
K2PS:		108: 1000µF			D, E	screw	9: M8*20	S: Stud	
ADP-S Series								mounting	

### ELECTRICAL SPECIFICATION 规格型号参考

Unit: mm

Part Number	Cap (μF)	Dimension		Ipeak (KA)	Imax @45°C @10KHz (A)	ESR@1.0 KHz (mΩ)	Ls (nH)	Rth (K/W)	Wn (Ws)	Weight (Kg)
		D	H							
<b>U<sub>NDC</sub> 900Vdc, Us 1350V, Ur 200V</b>										
K2P901D287KRA####	280	76.0	95.0	2240	41	1.9	50	4.6	113	0.59
K2P901D387KRB####	380	86.0	95.0	3040	47	1.8	50	3.9	154	0.73
K2P901D397KRA####	390	76.0	120.0	2340	41	2.1	60	4.1	158	0.71
K2P901D457KRA####	450	76.0	145.0	4500	58	1.2	45	3.7	182	0.88
K2P901D527KRB####	520	86.0	120.0	3120	47	1.9	60	3.5	211	0.88
K2P901D577KRA####	570	76.0	175.0	4560	60	1.3	50	3.3	231	1.03
K2P901D607KRB####	600	86.0	145.0	6000	64	1.1	45	3.2	243	1.09
K2P901D637KRC####	630	96.0	125.0	3780	53	1.8	60	3.0	255	1.14
K2P901D707KRD####	700	116.0	100.0	5600	61	1.6	50	2.6	284	1.36
K2P901D737KRC####	730	96.0	150.0	7300	70	1.1	45	2.7	296	1.40
K2P901D757KRB####	750	86.0	175.0	6000	66	1.2	50	2.9	304	1.29
K2P901D787KRA####	780	76.0	225.0	4680	62	1.4	60	2.9	316	1.28
K2P901D927KRC####	920	96.0	180.0	7360	73	1.1	50	2.5	373	1.64
K2P901D108KRE####	1000	136.0	100.0	000	70	1.5	50	2.1	405	1.83
K2P901D108KRD####	1000	116.0	125.0	6000	63	1.6	60	2.3	405	1.63
K2P901D1057KRB####	1050	86.0	225.0	6300	69	1.3	60	2.5	425	1.60
K2P901D1057KRD####	1050	116.0	150.0	10500	81	1.1	45	2.1	425	2.05
K2P901D128KRC####	1200	96.0	230.0	7200	75	1.2	60	2.2	486	2.06
K2P901D138KRE####	1300	136.0	125.0	7800	72	1.6	60	1.9	527	2.24
K2P901D1457KRD####	1450	116.0	180.0	11600	84	1.1	50	2.0	587	2.37
K2P901D158KRE####	1500	136.0	150.0	26639	91	1.0	45	1.7	608	2.77
K2P901D198KRE####	1900	136.0	180.0	15200	94	1.0	50	1.6	770	3.25
K2P901D208KRD####	2000	116.0	230.0	12000	88	1.1	60	1.7	810	2.93
K2P901D278KRE####	2700	136.0	230.0	16200	99	1.1	60	1.4	1094	4.02
<b>U<sub>NDC</sub> 1100Vdc, Us 1650V, Ur 250V</b>										
K2P112D187KRA####	180	76.0	95.0	1440	40	2.1	50	4.6	109	0.58
K2P112D237KRB####	230	86.0	95.0	1840	45	1.9	50	3.9	139	0.73
K2P112D257KRA####	250	76.0	120.0	1500	40	2.3	60	4.1	151	0.70
K2P112D287KRA####	280	76.0	145.0	2800	56	1.3	45	3.7	169	0.88
K2P112D307KRC####	300	96.0	100.0	2400	51	1.8	50	3.3	182	0.94
K2P112D337KRB####	330	86.0	120.0	1980	45	2.1	60	3.5	200	0.88
K2P112D347KRA####	340	76.0	175.0	2800	58	1.4	50	3.3	212	1.03
K2P112D407KRC####	400	96.0	125.0	2400	51	1.9	60	3.0	242	1.14
K2P112D407KRB####	400	86.0	145.0	4000	63	1.2	45	3.2	242	1.09
K2P112D427KRB####	420	86.0	155.0	4200	69	1.2	45	2.7	254	1.20
K2P112D427KRC####	420	86.0	136.0	1974	40	2.1	60	3.3	254	0.97
K2P112D457KRD####	450	116.0	100.0	3600	60	1.6	50	2.6	272	1.36
K2P112D467KRC####	460	96.0	150.0	4600	69	1.1	45	2.7	278	1.40
K2P112D487KRA####	480	76.0	225.0	2880	59	1.5	60	2.9	290	1.29
K2P112D507KRB####	500	86.0	175.0	4000	65	1.2	50	2.9	303	1.28
K2P112D607KRC####	600	96.0	180.0	4800	71	1.2	50	2.5	363	1.64
K2P112D637KRE####	630	136.0	100.0	5040	69	1.5	50	2.1	381	1.83
K2P112D657KRD####	650	116.0	125.0	3900	62	1.7	60	2.3	393	1.62
K2P112D687KRB####	680	86.0	225.0	4080	67	1.3	60	2.5	411	1.60
K2P112D737KRD####	730	116.0	150.0	7300	81	1.1	45	2.1	442	2.02
K2P112D807KRC####	800	96.0	230.0	4800	74	1.3	60	2.2	484	2.04
K2P112D907KRE####	900	136.0	125.0	5400	71	1.6	60	1.9	545	2.21
K2P112D927KRD####	920	116.0	180.0	7360	83	1.1	50	2.0	557	2.36
K2P112D108KRE####	1000	136.0	150.0	22433	91	1.0	45	1.7	605	2.75
K2P112D128KRE####	1200	136.0	180.0	9600	93	1.1	50	1.6	726	3.25
K2P112D1257KRD####	1250	116.0	230.0	7500	87	1.2	60	1.7	756	2.93
K2P112D178KRE####	1700	136.0	230.0	10200	98	1.1	60	1.4	1029	4.02

Remark: 1. #### Output, output size, and installation method; \*\*\* Internal code.  
 2. Customization for special specification and requirement is available.

### ■ ELECTRICAL SPECIFICATION 规格型号参考

Unit: mm

Part Number	Cap (μF)	Dimension		Ipeak (KA)	Imax @45°C @10KHz (A)	ESR@1.0 KHz (mΩ)	Ls (nH)	Rth (K/W)	Wn (Ws)	Weight (Kg)
		D	H							
<b>U<sub>NDC</sub> 1200Vdc, Us 1800V, Ur 275V</b>										
K2P122D157KRA####	150	76.0	95.0	1200	39	2.1	50	4.6	108	0.57
K2P122D207KRB####	200	86.0	95.0	1600	45	1.9	50	3.9	144	0.72
K2P122D227KRA####	220	76.0	120.0	1320	39	2.4	60	4.1	158	0.70
K2P122D247KRA####	240	76.0	145.0	2400	56	1.3	45	3.7	173	0.87
K2P122D257KRC####	250	96.0	100.0	2000	50	1.8	50	3.3	180	0.92
K2P122D277KRB####	270	86.0	120.0	1620	45	2.1	60	3.5	194	0.87
K2P122D307KRA####	300	76.0	175.0	2400	57	1.4	50	3.3	216	1.02
K2P122D317KRB####	310	86.0	145.0	3100	63	1.2	45	3.2	223	1.08
K2P122D337KRC####	330	96.0	125.0	1980	50	2.0	60	3.0	238	1.12
K2P122D387KRD####	380	116.0	100.0	3040	60	1.6	50	2.6	274	1.34
K2P122D387KRC####	380	96.0	150.0	3800	69	1.2	45	2.7	274	1.39
K2P122D427KRB####	420	86.0	175.0	3360	64	1.3	50	2.9	302	1.27
K2P122D407KRA####	400	76.0	225.0	2400	59	1.5	60	2.9	288	1.27
K2P122D478KRB####	470	86.0	225.0	2820	65	1.4	60	2.5	338	1.62
K2P122D507KRD####	500	116.0	125.0	3000	61	1.8	60	2.3	360	1.62
K2P122D207KRC####	500	96.0	180.0	4000	71	1.2	50	2.5	360	1.61
K2P122D557KRD####	550	116.0	150.0	5500	80	1.1	45	2.1	396	2.01
K2P122D537KRE####	530	136.0	100.0	4240	69	1.5	50	2.1	382	1.81
K2P122D567KRB####	560	86.0	225.0	3360	66	1.4	60	2.5	403	1.59
K2P122D687KRC####	680	96.0	230.0	4080	74	1.3	60	2.2	490	2.00
K2P122D687KRD####	680	116.0	180.0	5440	82	1.1	50	2.0	490	2.37
K2P122D737KRE####	730	136.0	125.0	4380	70	1.6	60	1.9	526	2.18
K2P122D857KRE####	850	136.0	150.0	21848	91	1.0	45	1.7	612	2.71
K2P122D957KRE####	950	136.0	180.0	7600	93	1.1	50	1.6	684	3.23
K2P122D108KRD####	1000	116.0	230.0	6000	86	1.2	60	1.7	720	2.91
K2P122D128KRE####	1200	136.0	230.0	7200	96	1.1	60	1.4	864	4.07
<b>U<sub>NDC</sub> 2000Vdc, Us 3000V, Ur 400V</b>										
K2P202D556KRA####	55	76.0	95.0	440	35	2.7	50	4.6	110	0.58
K2P202D756KRB####	75	86.0	95.0	600	41	2.3	50	3.9	150	0.72
K2P202D756KRA####	75	76.0	120.0	450	34	3.2	60	4.1	150	0.70
K2P202D856KRA####	85	76.0	145.0	850	51	1.5	45	3.7	170	0.88
K2P202D906KRC####	90	96.0	100.0	720	46	2.2	50	3.3	180	0.93
K2P202D107KRB####	100	86.0	120.0	600	40	2.7	60	3.5	200	0.87
K2P202D117KRA####	110	76.0	175.0	880	52	1.7	50	3.3	220	1.03
K2P202D117KRB####	110	86.0	145.0	1100	58	1.4	45	3.2	220	1.10
K2P202D1256KRC####	125	96.0	125.0	750	45	2.4	60	3.0	250	1.13
K2P202D147KRD####	140	116.0	100.0	1120	56	1.9	50	2.6	280	1.35
K2P202D147KRC####	140	96.0	150.0	1400	65	1.3	45	2.7	280	1.40
K2P202D157KRB####	150	86.0	175.0	1200	60	1.5	50	2.9	300	1.28
K2P202D157KRA####	150	76.0	225.0	900	53	1.9	60	2.9	300	1.28
K2P202D197KRD####	190	116.0	125.0	1140	56	2.0	60	2.3	380	1.63
K2P202D197KRC####	190	96.0	180.0	1520	67	1.4	50	2.5	380	1.62
K2P202D207KRE####	200	136.0	100.0	1600	66	1.7	50	2.1	400	1.82
K2P202D207KRB####	200	86.0	225.0	1200	60	1.7	60	2.5	400	1.60
K2P202D227KRD####	220	116.0	150.0	2200	77	1.2	45	2.1	440	2.01
K2P202D257KRC####	250	96.0	230.0	1500	68	1.5	60	2.2	500	2.02
K2P202D2756KRE####	275	136.0	125.0	1650	66	1.8	60	1.9	550	2.20
K2P202D287KRD####	280	116.0	180.0	2240	79	1.2	50	2.0	560	2.34
K2P202D317KRE####	310	136.0	150.0	12749	88	1.1	45	1.7	620	2.74
K2P202D387KRD####	380	116.0	230.0	2280	81	1.3	60	1.7	760	2.92
K2P202D407KRE####	400	136.0	180.0	3200	90	1.1	50	1.6	800	3.20
K2P202D547KRE####	540	136.0	230.0	3240	93	1.2	60	1.4	1080	3.98

Remark: 1. #### Output, output size, and installation method; \*\*\* Internal code.  
2. Customization for special specification and requirement is available.

### ELECTRICAL SPECIFICATION 规格型号参考

Unit: mm

Part Number	Cap (μF)	Dimension		Ipeak (KA)	Imax @45°C @10KHz (A)	ESR@1.0 KHz (mΩ)	Ls (nH)	Rth (K/W)	Wn (Ws)	Weight (Kg)
		D	H							
<b>U<sub>NDC</sub> 3000Vdc, Us 4500V, Ur 700V</b>										
K2P302D356KRA####**	35	76.0	145.0	350	33	3.8	45	3.7	158	0.87
K2P302D396KRA####**	39	76.0	175.0	312	31	4.6	50	3.3	176	1.04
K2P302D476KRB####**	47	86.0	145.0	470	37	3.4	45	3.2	212	1.09
K2P302D606KRC####**	60	96.0	150.0	600	42	3.1	45	2.7	270	1.39
K2P302D606KRB####**	60	86.0	175.0	480	38	3.7	50	2.9	270	1.28
K2P302D606KRA####**	60	76.0	225.0	360	32	5.0	60	2.9	270	1.28
K2P302D756KRC####**	75	96.0	180.0	600	42	3.4	50	2.5	338	1.63
K2P302D826KRB####**	82	86.0	225.0	492	38	4.2	60	2.5	369	1.59
K2P302D926KRD####**	92	116.0	150.0	920	51	2.7	45	2.1	414	2.01
K2P302D107KRC####**	100	96.0	230.0	600	43	3.8	60	2.2	450	2.04
K2P302D107KRD####**	100	116.0	180.0	800	50	3.0	50	2.0	450	2.39
K2P302D127KRD####**	120	116.0	180.0	960	52	2.58	50	2.0	540	2.33
K2P302D137KRE####**	130	136.0	150.0	1300	59	2.5	45	1.7	585	2.72
K2P302D158KRD####**	150	116.0	230.0	900	52	3.2	60	1.7	675	2.93
K2P302D167KRE####**	160	136.0	180.0	1280	59	2.6	50	1.6	720	3.21
K2P302D187KRE####**	180	136.0	230.0	1080	59	3.0	60	1.4	810	4.11
<b>U<sub>NDC</sub> 3600Vdc, Us 5400V, Ur 800V</b>										
K2P362D206KRA####**	20	76.0	145.0	220	31	4.2	45	3.7	143	0.87
K2P362D286KRA####**	28	76.0	175.0	224	31	4.8	50	3.3	181	1.02
K2P362D306KRB####**	30	86.0	145.0	300	36	3.6	45	3.2	194	1.08
K2P362D366KRC####**	36	96.0	150.0	360	40	3.4	45	2.7	233	1.39
K2P362D386KRB####**	38	86.0	175.0	304	36	4.1	50	2.9	246	1.27
K2P362D386KRA####**	38	76.0	225.0	228	30	5.7	60	2.9	246	1.27
K2P362D466KRC####**	46	96.0	180.0	368	40	3.7	50	2.5	298	1.63
K2P362D506KRB####**	50	86.0	225.0	300	35	4.8	60	2.5	324	1.59
K2P362D556KRD####**	55	116.0	150.0	550	49	2.9	45	2.1	356	2.01
K2P362D626KRC####**	62	96.0	230.0	372	40	4.3	60	2.2	402	2.02
K2P362D706KRD####**	70	116.0	180.0	560	49	3.1	50	2.0	454	2.34
K2P362D756KRE####**	75	136.0	150.0	750	57	2.7	45	1.47	486	2.74
K2P362D886KRD####**	88	116.0	230.0	528	49	3.6	60	1.7	570	2.94
K2P362D107KRE####**	100	136.0	180.0	800	58	2.8	50	1.6	648	3.18
K2P362D1256KRE####**	125	136.0	230.0	750	58	3.1	60	1.4	810	4.01
<b>U<sub>NDC</sub> 4000Vdc, Us 6000V, Ur 900V</b>										
K2P402D186KRA####**	18	76.0	145.0	180	30	4.6	45	3.7	144	0.86
K2P402D236KRA####**	23	76.0	175.0	184	29	5.2	50	3.3	184	1.01
K2P402D236KRB####**	23	86.0	145.0	230	34	4.0	45	3.2	184	1.08
K2P402D306KRC####**	30	96.0	150.0	300	39	3.5	45	2.7	240	1.37
K2P402D306KRB####**	30	86.0	175.0	240	34	4.4	50	2.9	240	1.26
K2P402D306KRA####**	30	76.0	225.0	180	29	6.4	60	2.9	240	1.26
K2P402D386KRC####**	38	96.0	180.0	304	39	3.9	50	2.5	304	1.61
K2P402D406KRB####**	40	86.0	225.0	240	34	5.3	60	2.5	320	1.28
K2P402D456KRD####**	45	116.0	150.0	450	48	3.0	45	2.1	360	1.99
K2P402D506KRC####**	50	96.0	230.0	300	39	4.6	60	2.2	400	2.01
K2P402D556KRD####**	55	116.0	180.0	440	48	3.3	50	2.0	440	2.34
K2P402D656KRE####**	65	136.0	150.0	650	56	2.7	45	1.7	520	2.69
K2P402D706KRD####**	70	116.0	230.0	420	47	3.9	60	1.7	560	2.94
K2P402D826KRE####**	82	136.0	180.0	656	57	2.9	50	1.6	656	3.15
K2P402D107KRE####**	100	136.0	230.0	600	56	3.3	60	1.4	800	4.00

Remark: 1. ### Output, output size, and installation method; \*\*\* Internal code.  
 2. Customization for special specification and requirement is available.

### ELECTRICAL SPECIFICATION 规格型号参考

Unit: mm

Series: ADP-S smaller size

Part Number	Cap (μF)	Dimension		Ipeak (KA)	Imax @45°C @10KHz (A)	ESR@1.0 KHz (mΩ)	Ls (nH)	Rth (K/W)	Wn (Ws)	Weight (Kg)
		D	H							
<b>U<sub>NDc</sub> 700Vdc, Us 1050V, Ur 150V</b>										
K2PS701D507KRA####**	500	76.0	95.0	1650	43	1.8	50	4.6	123	0.58
K2PS701D687KRB####**	680	86.0	95.0	2244	48	1.6	50	3.9	167	0.71
K2PS701D707KRA####**	700	76.0	120.0	1750	44	1.9	60	4.1	167	0.70
K2PS701D807KRA####**	800	76.0	145.0	3200	60	1.1	45	3.7	196	0.87
K2PS701D8456KRC####**	845	96.0	95.0	2789	53	1.6	50	3.4	207	0.87
K2PS701D907KRB####**	900	86.0	120.0	2250	49	1.8	60	3.5	221	0.87
K2PS701D108KRA####**	1000	76.0	175.0	3300	62	1.2	50	3.3	245	1.02
K2PS701D1057KRB####**	1050	86.0	145.0	4200	66	1.1	45	3.2	257	1.08
K2PS701D118KRC####**	1100	96.0	120.0	2750	54	1.7	60	3.0	270	1.07
K2PS701D128KRD####**	1200	116.0	100.0	3960	63	1.5	50	2.6	294	1.35
K2PS701D138KRC####**	1300	96.0	145.0	5200	71	1.1	45	2.8	319	1.33
K2PS701D138KRB####**	1300	86.0	175.0	4290	68	1.1	50	2.9	319	1.28
K2PS701D138KRA####**	1300	76.0	225.0	3250	64	1.3	60	2.9	319	1.28
K2PS701D168KRC####**	1600	96.0	175.0	5280	74	1.1	50	2.5	392	1.58
K2PS701D138KRD####**	1600	116.0	125.0	4000	64	1.6	60	2.3	392	1.64
K2PS701D178KRE####**	1700	136.0	100.0	5610	71	1.4	50	2.1	417	1.82
K2PS701D178KRB####**	1700	86.0	225.0	4250	71	1.2	60	2.5	417	1.60
K2PS701D198KRD####**	1900	116.0	150.0	7600	82	1.0	45	2.1	466	2.02
K2PS701D228KRC####**	2200	96.0	225.0	5500	78	1.1	60	2.2	539	1.96
K2PS701D248KRE####**	2400	136.0	125.0	6000	73	1.5	60	1.9	588	2.19
K2PS701D248KRD####**	2400	116.0	180.0	7920	85	1.0	50	2.0	588	2.36
K2PS701D288KRE####**	2800	136.0	150.0	11200	93	1.0	45	1.7	686	2.72
K2PS701D338KRD####**	3300	116.0	230.0	8250	90	1.1	60	1.7	809	2.92
K2PS701D358KRE####**	3500	136.0	180.0	11550	96	1.0	50	1.6	858	3.19
K2PS701D488KRE####**	4800	136.0	180.0	12000	101	1.0	60	1.4	1176	3.95
<b>U<sub>NDc</sub> 800Vdc, Us 1200V, Ur 200V</b>										
K2PS801D377KRA####**	370	76.0	95.0	1665	42	1.8	50	4.6	118	0.58
K2PS801D497KRB####**	490	86.0	95.0	2205	48	1.7	50	3.9	157	0.72
K2PS801D507KRA####**	500	76.0	120.0	1500	43	2.0	60	4.1	160	0.70
K2PS801D587KRA####**	580	76.0	145.0	2900	59	1.2	45	3.7	186	0.87
K2PS801D607KRC####**	600	96.0	95.0	2700	52	1.6	50	3.4	192	0.88
K2PS801D687KRB####**	680	86.0	120.0	2040	49	1.8	60	3.5	218	0.87
K2PS801D707KRA####**	700	76.0	175.0	3150	60	1.2	50	3.3	224	1.02
K2PS801D757KRB####**	750	86.0	145.0	3750	65	1.1	45	3.2	240	1.09
K2PS801D827KRC####**	820	96.0	120.0	2460	53	1.7	60	3.0	262	1.07
K2PS801D907KRD####**	900	116.0	100.0	4050	62	1.5	50	2.6	288	1.35
K2PS801D907KRC####**	900	96.0	145.0	4500	70	1.1	45	2.8	288	1.34
K2PS801D957KRB####**	950	86.0	175.0	4275	67	1.2	50	2.9	304	1.28
K2PS801D108KRA####**	1000	76.0	225.0	3000	63	1.3	60	2.9	320	1.27
K2PS801D128KRC####**	1200	96.0	175.0	5400	73	1.1	50	2.5	384	1.57
K2PS801D128KRD####**	1200	116.0	125.0	3600	63	1.6	60	2.3	384	1.63
K2PS801D138KRE####**	1300	136.0	100.0	5850	71	1.5	50	2.1	416	1.81
K2PS801D138KRB####**	1300	86.0	225.0	3900	70	1.2	60	2.5	416	1.59
K2PS801D148KRD####**	1400	116.0	150.0	7000	82	1.0	45	2.1	448	2.02
K2PS801D168KRC####**	1600	96.0	225.0	4800	76	1.0	60	2.2	512	1.97
K2PS801D178KRE####**	1700	136.0	125.0	5100	73	1.5	60	1.9	544	2.21
K2PS801D188KRD####**	1800	116.0	180.0	8100	85	1.1	50	2.0	576	2.35
K2PS801D208KRE####**	2000	136.0	150.0	10000	92	1.0	45	1.7	640	2.73
K2PS801D248KRD####**	2400	116.0	230.0	7200	89	1.1	60	1.7	768	2.92
K2PS801D258KRE####**	2500	136.0	180.0	11250	92	1.0	50	1.6	800	3.20
K2PS801D358KRE####**	3500	136.0	230.0	10500	100	1.1	60	1.4	1120	3.96

Remark: 1. #### Output, output size, and installation method, \*\*\* Internal code.

2. Customization for special specification and requirement is available.

### ELECTRICAL SPECIFICATION 规格型号参考

Unit: mm

Series: ADP-S smaller size

Part Number	Cap (μF)	Dimension		Ipeak (KA)	Imax @45°C @10KHz (A)	ESR@1.0 KHz (mΩ)	Ls (nH)	Rth (K/W)	Wn (Ws)	Weight (Kg)
		D	H							
<b>U<sub>NDc</sub> 1100Vdc, U<sub>s</sub> 1650V, U<sub>r</sub> 250V</b>										
K2PS112D227KRA####**	220	76.0	95.0	1496	41	2.0	50	4.6	133	0.58
K2PS112D307KRB####**	300	86.0	95.0	2040	46	1.8	50	3.9	182	0.72
K2PS112D307KRA####**	300	76.0	120.0	1500	41	2.2	60	4.1	182	0.70
K2PS112D3456KRA####**	345	76.0	145.0	2691	57	1.2	45	3.7	209	0.87
K2PS112D367KRC####**	360	96.0	95.0	2448	51	1.7	50	3.4	218	0.88
K2PS112D407KRB####**	400	86.0	120.0	2000	46	2.0	60	3.5	242	0.87
K2PS112D457KRA####**	450	76.0	175.0	3060	59	1.3	50	3.3	272	1.02
K2PS112D467KRB####**	460	86.0	145.0	3588	64	1.2	45	3.2	278	1.08
K2PS112D497KRC####**	490	96.0	120.0	2450	51	1.9	60	3.0	396	1.07
K2PS112D557KRC####**	550	96.0	145.0	4290	69	1.1	45	2.8	333	1.34
K2PS112D557KRD####**	550	116.0	100.0	3740	61	1.6	50	2.6	333	1.34
K2PS112D607KRB####**	600	86.0	175.0	4080	66	1.2	50	2.9	363	1.27
K2PS112D607KRA####**	600	76.0	225.0	3000	61	1.4	60	2.9	363	1.27
K2PS112D727KRC####**	720	96.0	175.0	4896	72	1.2	50	2.5	436	1.57
K2PS112D757KRD####**	750	116.0	125.0	3750	62	1.7	60	2.3	454	1.62
K2PS112D807KRE####**	800	136.0	100.0	5440	70	1.5	50	2.1	484	1.80
K2PS112D807KRB####**	800	86.0	225.0	4000	68	1.3	60	2.5	484	1.59
K2PS112D857KRD####**	850	116.0	150.0	6630	81	1.1	45	2.1	514	2.01
K2PS112D987KRC####**	980	96.0	225.0	4900	75	1.2	60	2.2	293	1.6
K2PS112D1057KRE####**	1050	136.0	125.0	5250	71	1.6	60	1.9	635	2.20
K2PS112D1057KRD####**	1050	116.0	180.0	7140	83	1.1	50	2.0	635	2.36
K2PS112D128KRE####**	1200	136.0	150.0	9360	91	1.0	45	1.7	726	2.73
K2PS112D148KRD####**	1400	116.0	230.0	7000	87	1.1	60	1.7	847	2.94
K2PS112D158KRE####**	1500	136.0	180.0	10200	94	1.1	50	1.6	908	3.21
K2PS112D218KRE####**	2100	136.0	230.0	10500	99	1.1	60	1.4	1271	3.96
<b>U<sub>NDc</sub> 1200Vdc, U<sub>s</sub> 1800V, U<sub>r</sub> 275V</b>										
K2PS122D187KRA####**	180	76.0	95.0	1440	40	2.1	50	4.6	130	0.58
K2PS122D237KRB####**	230	86.0	95.0	1840	45	1.9	50	3.9	166	0.73
K2PS122D257KRA####**	250	76.0	120.0	1500	40	2.3	60	4.1	180	0.70
K2PS122D287KRA####**	280	76.0	145.0	2800	56	1.3	45	3.7	202	0.88
K2PS122D307KRC####**	300	96.0	95.0	2400	50	1.8	50	3.4	216	0.88
K2PS122D337KRB####**	330	86.0	120.0	1980	45	2.1	60	3.5	238	0.88
K2PS122D367KRA####**	360	76.0	175.0	2880	58	1.3	50	3.3	259	1.03
K2PS122D387KRB####**	380	86.0	145.0	3800	63	1.2	45	3.2	274	1.09
K2PS122D407KRC####**	400	96.0	120.0	2400	50	1.9	60	3.0	288	1.09
K2PS122D457KRD####**	450	116.	100.0	3600	60	1.6	50	2.6	324	1.36
K2PS122D457KRC####**	450	96.0	136.0	4500	67	1.2	45	2.9	324	1.26
K2PS122D487KRB####**	480	86.0	175.0	3840	65	1.2	50	2.9	346	1.29
K2PS122D507KRA####**	500	76.0	225.0	3000	60	1.5	60	2.9	360	1.28
K2PS122D587KRC####**	580	96.0	175.0	4640	70	1.2	50	2.5	418	1.59
K2PS122D607KRD####**	600	116.	125.0	3600	61	1.7	60	2.3	432	1.65
K2PS122D657KRE####**	650	136.	100.0	5200	69	1.5	50	2.1	468	1.82
K2PS122D687KRB####**	680	86.0	225.0	4080	66	1.4	60	2.5	490	1.60
K2PS122D707KRD####**	700	116.	150.0	7000	80	1.1	45	2.1	504	2.03
K2PS122D787KRC####**	780	96.0	225.0	4680	73	1.3	60	2.2	562	2.00
K2PS122D887KRE####**	880	136.	125.0	5280	71	1.6	60	1.9	634	2.21
K2PS122D887KRD####**	880	116.	180.0	7040	83	1.1	50	2.0	634	2.38
K2PS122D108KRE####**	1000	136.	150.0	10000	91	1.0	45	1.7	720	2.75
K2PS122D128KRD####**	1200	116.	230.0	7200	86	1.2	60	1.7	864	2.95
K2PS122D138KRE####**	1300	136.	180.0	10400	94	1.1	50	1.6	936	3.21
K2PS122D178KRE####**	1700	136.	230.0	10200	98	1.1	60	1.4	1224	4.02

Remark: 1. #### Output, output size, and installation method, \*\*\* Internal code.

2. Customization for special specification and requirement is available.