

GENERAL TECHNICAL CHARACTERISTICS 技术特性

Reference standards 参考标准	IEC 61071, IEC 60068
Dielectric 介质材料	Polypropylene film
Construction 封装结构	Dry construction, filled by solid resin, non-inductive type
Case 外壳材料	Cylinder aluminum case
Output 引出端	Threaded insert M6, bolt available

ELECTRICAL CHARACTERISTICS 电气特性

Operating temperature 工作温度范围	- 40 to + 85 °C
Capacitance range 容量范围	75 to 5500 μ F
Rated voltage range 额定电压	600 to 4000 Vdc
Capacitance tolerance 容量偏差	\pm 10%
Dissipation factor 损耗角正切	$\leq 30 \times 10^{-4}$ Measured at 100 Hz and 20 \pm 5°C
Life expectancy 预期寿命	100,000 hours at U_{NDC} and 70 °C(Hot-spot temperature)

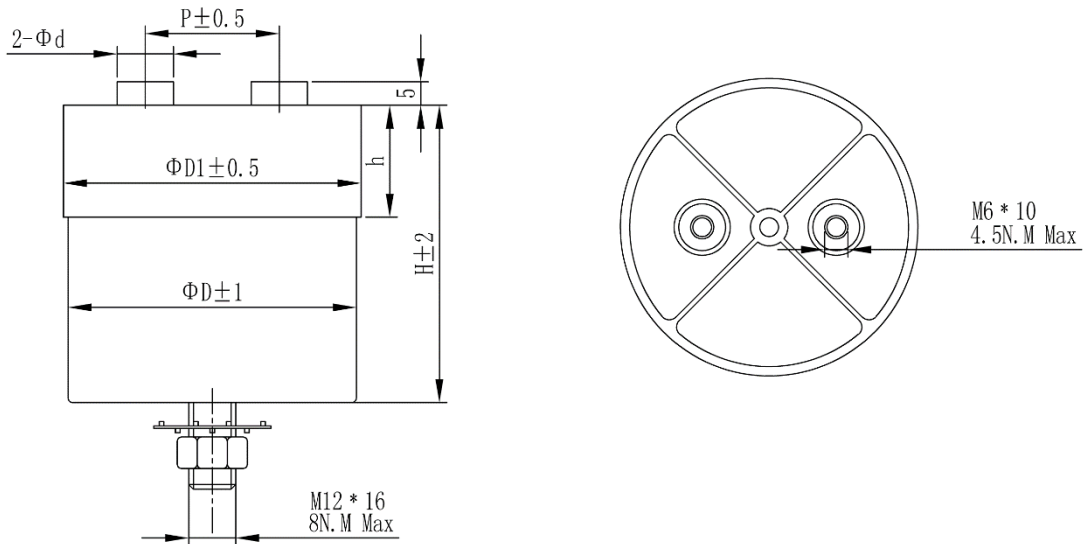
TEST METHODS AND PERFORMANCES 测试方法

Dielectric strength 介质强度	$1.5 \times U_{NDC}$ applied to 10s at 20 \pm 5 °C
Test voltage terminal to case 端壳耐压	$\geq (1.5 \times U_{NDC} + 1000)$ VAC/50Hz for 10s
Insulation resistance(IR* C_N) 绝缘电阻	≥ 100000 s but need not exceed 30G Ω , after 1 minute of electrification at 100VDC (20 \pm 5°C)

OVER-VOLTAGE 过压保护

$1.10 \times U_{NDC}$ for maximum 8 Hour per day
$1.15 \times U_{NDC}$ for maximum 30 minimum per day
$1.20 \times U_{NDC}$ for maximum 5 minimum per day
$1.30 \times U_{NDC}$ for maximum 1 minimum per day
$1.50 \times U_{NDC}$ for 30 ms no more than 1000 times

OUTLINE DRAWING 外形图



Unit: mm

D	D1	P	h	d	Output	N. M max
60	60	28.6	10	15	M5*8	2.5
76	76	32	20	15	M6*10	4.5
86	89	32	35	12	M6*10	4.5
96	99	45	35	15	M6*10	4.5
116	119.5	50	40	15	M6*10	4.5
136	140	50	45	15	M6*10	4.5

HOW TO ORDER:

K2G	801D	807	K	R	F	7	S	***
Series Code:	Voltage:	Capacitance:	Cap. Tol.:	Shape:	Output:	Output	Installation	Internal
K2G:	801D: 800Vdc	107: 100μF	K: ± 10%	R: Round	F: Thread	Size:	Method:	Code
ADG Series	102D: 1000Vdc	108: 1000μF			M: Lead screw	5: M5*8 7: M6*10	C: Clamp S: Stud mounting	

ELECTRICAL SPECIFICATION 规格型号参考

Unit: mm

Part Number	Cap (μF)	Dimension		Ipeak (KA)	Is (KA)	Imax (A)	ESR (mΩ)	Ls (nH)	Rth (K/W)	Wn (Ws)	Weight (Kg)
		D	H								
U_{NDC} 600Vdc, Us 900V, Ur 150V											
K2G601D307KR####	300	60.0	95.0	1.2	3.6	35	2.6	50	7.3	54	0.35
K2G601D407KR####	400	60.0	120.0	1.2	3.6	35	3.3	60	6	72	0.45
K2G601D507KR####	500	76.0	95.0	2	6	45	1.7	50	6	90	0.55
K2G601D687KR####	680	76.0	120.0	2	6.1	45	2.1	60	5	122	0.7
K2G601D657KR####	650	86.0	95.0	2.6	7.8	55	1.4	50	5.4	117	0.75
K2G601D907KR####	900	86.0	120.0	2.7	8.1	55	1.6	60	4.5	162	0.9
K2G601D138KR####	1300	86.0	174.0	5.2	15.6	75	0.8	50	3.3	234	1.3
K2G601D188KR####	1800	86.0	225.0	5.4	16.2	75	1	60	2.6	324	1.6
K2G601D268KR####	2600	116.0	178.0	10.4	31.2	100	0.9	50	2.6	468	2.4
K2G601D358KR####	3500	116.0	228.0	10.5	31.5	100	0.9	60	2.1	630	3
K2G601D508KR####	5000	136.0	230.0	15	45	100	0.8	60	1.8	900	4
U_{NDC} 700Vdc, Us 1050V, Ur 170V											
K2G701D207KR####	200	60.0	95.0	1	3	30	3.2	50	7.3	49	0.4
K2G701D307KR####	300	60.0	120.0	0.9	2.7	30	3.7	60	6	74	0.5
K2G701D507KR####	500	76.0	120.0	1.5	4.5	45	2.3	60	5	123	0.7
K2G701D687KR####	680	86.0	120.0	2	6.1	55	1.8	60	4.5	167	0.9
K2G701D108KR####	1000	86.0	174.0	5	15	75	0.9	50	3.3	245	1.3
K2G701D138KR####	1300	86.0	225.0	3.9	11.7	75	1.1	60	2.6	319	1.6
K2G701D208KR####	2000	116.0	178.0	10	30	100	0.9	50	2.6	490	2.3
K2G701D268KR####	2600	116.0	228.0	7.8	23.4	100	0.9	60	2.1	637	3
K2G701D378KR####	3700	136.0	230.0	11.1	33.3	100	0.8	60	1.8	907	4
K2G701D558KR####	5500	136.0	335.0	16.5	49.5	100	0.7	60	1.3	1348	6
U_{NDC} 800Vdc, Us 1200V, Ur 200V											
K2G801D157KR####	150	60.0	80.0	1.1	3.2	30	2.9	45	5	61	0.3
K2G801D187KR####	180	60.0	95.0	0.9	2.7	30	3.6	50	4.7	73	0.35
K2G801D257KR####	250	60.0	120.0	1	3	30	4	60	6	80	0.5
K2G801D427KR####	420	76.0	120.0	1.7	5.1	45	2.5	60	5	134	0.7
K2G801D437KR####	430	86.0	95.0	2.2	6.5	55	1.8	50	5	174	0.75
K2G801D557KR####	550	86.0	120.0	2.2	6.6	55	2.1	60	4.5	176	0.9
K2G801D657KR####	650	86.0	144.0	4.6	13.7	75	0.9	45	4	208	1
K2G801D807KR####	800	86.0	174.0	4.8	14.4	75	1.1	50	3.4	256	1.2
K2G801D108KR####	1000	116.0	124.0	4	12	75	1.3	60	3.4	320	1.7
K2G801D118KR####	1100	86.0	225.0	4.4	13.2	75	1.2	60	2.6	352	1.6
K2G801D148KR####	1400	136.0	125.0	5.6	16.8	80	1.1	60	3	448	2.3
K2G801D158KR####	1500	116.0	178.0	9	27	100	0.8	50	2.6	480	2.4
K2G801D208KR####	2000	116.0	228.0	8	24	100	0.9	60	2.1	640	3
K2G801D308KR####	3000	136.0	230.0	11.6	34.8	100	0.8	60	1.8	928	4
K2G801D458KR####	4500	136.0	335.0	17.6	52.8	100	0.7	60	1.3	1408	6

Remark: 1. ### Output, output size, and installation method; *** Internal code.
2. Customization for special specification and requirement is available.

ELECTRICAL SPECIFICATION 规格型号参考

Unit: mm

Part Number	Cap (μF)	Dimension		Ipeak (KA)	Is (KA)	Imax (A)	ESR (mΩ)	Ls (nH)	Rth (K/W)	Wn (Ws)	Weight (Kg)
		D	H								
U_{NDC} 1000Vdc, Us 1500V, Ur 250V											
K2G102D427KR###***	420	86.0	120.0	2.1	6.3	55	2.3	60	4.5	210	0.9
K2G102D477KR###***	470	86.0	144.0	4.2	12.7	75	1	45	3.9	235	1.1
K2G102D607KR###***	600	86.0	174.0	4.2	12.6	75	1.2	50	3.3	300	1.3
K2G102D757KR###***	750	116.0	124.0	3.8	11.3	70	1.5	60	3.4	375	1.7
K2G102D807KR###***	800	86.0	225.0	4	12	75	1.4	60	2.6	400	1.6
K2G102D118KR###***	1100	136.0	125.0	5.5	16.5	75	1.1	60	3	550	2.3
K2G102D158KR###***	1500	116.0	228.0	7.5	22.5	100	0.9	60	2.1	750	3
K2G102D218KR###***	2100	136.0	230.0	10.5	31.5	100	0.8	60	1.8	1050	4.1
K2G102D328KR###***	3200	136.0	335.0	16	48	100	0.7	60	1.3	1600	6
U_{NDC} 1100Vdc, Us 1650V, Ur 250V											
K2G112D357KR###***	350	86.0	120.0	2.1	6.3	50	2.5	60	4.5	212	0.9
K2G112D427KR###***	420	86.0	155.0	4.2	12.6	75	1.1	45	3.9	254	1.1
K2G112D427KR###***	420	86.0	136.0	2.1	6.3	50	2.7	65	4.1	254	1
K2G112D507KR###***	500	86.0	174.0	4	12	75	1.3	50	3.3	303	1.2
K2G112D607KR###***	600	116.0	124.0	3.6	10.8	65	1.6	60	3.4	363	1.7
K2G112D687KR###***	680	86.0	225.0	4.1	12.2	75	1.5	60	2.6	411	1.6
K2G112D737KR###***	730	116.0	148.0	7.3	21.9	100	0.8	45	3	442	2.1
K2G112D108KR###***	1000	136.0	125.0	5.4	16.2	75	1.2	60	3	605	2.3
K2G112D108KR###***	1000	116.0	178.0	7.2	21.6	100	0.9	50	2.6	605	2.3
K2G112D138KR###***	1300	116.0	228.0	7.2	21.6	100	1	60	2.1	787	3
K2G112D208KR###***	2000	136.0	230.0	10.8	32.4	100	0.8	60	1.8	1210	4.1
K2G112D308KR###***	3000	136.0	335.0	15.6	46.8	100	0.7	60	1.3	1815	6
U_{NDC} 1200Vdc, Us 1800V, Ur 270V											
K2G122D477KR###***	470	86.0	225.0	3.8	11.3	75	1.6	60	2.6	338	1.6
K2G122D557KR###***	550	116.0	124.0	3.3	9.9	65	1.5	60	3.4	396	1.7
K2G122D607KR###***	600	86.0	225.0	3.6	10.8	75	1.4	60	2.6	432	1.6
K2G122D757KR###***	750	136.0	125.0	4.5	13.5	75	1.2	60	3	540	2.3
K2G122D807KR###***	800	116.0	178.0	7.2	21.6	100	0.9	50	2.6	576	2.4
K2G122D118KR###***	1100	116.0	228.0	6.6	19.8	100	1	60	2.1	792	3
K2G122D158KR###***	1500	136.0	230.0	9	27	100	0.8	60	1.8	1080	4.1
K2G122D238KR###***	2300	136.0	335.0	13.8	41.4	100	0.7	60	1.3	1656	6
U_{NDC} 1300Vdc, Us 1950V, Ur 300V											
K2G132D257KR###***	250	86.0	120.0	2	6	50	2.6	60	4.5	211	0.9
K2G132D357KR###***	350	86.0	174.0	3.5	10.5	75	1.2	50	3.3	296	1.3
K2G132D457KR###***	450	116.0	124.0	3.6	10.8	65	1.6	60	3.4	380	1.7
K2G132D507KR###***	500	86.0	225.0	4	12	75	1.4	60	2.6	423	1.6
K2G132D657KR###***	650	136.0	125.0	5.2	15.6	75	1.2	60	3	549	2.3
K2G132D687KR###***	680	116.0	178.0	6.8	20.4	100	0.69	50	2.6	575	2.4
K2G132D907KR###***	900	116.0	228.0	7.2	21.6	100	0.9	60	2.1	761	3
K2G132D138KR###***	1300	136.0	230.0	10.4	31.2	100	0.8	60	1.8	1099	4
K2G132D208KR###***	2000	136.0	335.0	16	48	100	0.7	60	1.3	1690	6
U_{NDC} 1500Vdc, Us 2250V, Ur 350V											
K2G152D177KR###***	170	86.0	120.0	1.7	5.1	45	3.2	60	4.5	191	0.9
K2G152D207KR###***	200	86.0	144.0	3.2	9.6	65	1.3	45	3.9	225	1.1
K2G152D277KR###***	270	86.0	174.0	3.5	10.5	65	1.4	50	3.3	304	1.3
K2G152D337KR###***	330	116.0	124.0	3.3	9.9	65	1.9	60	3.4	371	1.7
K2G152D357KR###***	350	86.0	225.0	3.5	10.5	75	1.8	60	2.6	394	1.6
K2G152D407KR###***	400	116.0	148.0	6.4	19.2	90	0.9	45	3	450	2
K2G152D507KR###***	500	116.0	178.0	6.5	19.5	90	1	50	2.6	563	2.4
K2G152D557KR###***	550	136.0	148.0	8.8	26.4	100	0.8	45	2.6	619	2.8
K2G152D687KR###***	680	116.0	228.0	6.8	20.4	100	1.1	60	2.1	765	3
K2G152D957KR###***	950	136.0	230.0	9.5	28.5	100	0.9	60	1.8	1069	4
K2G152D1457KR###***	1450	136.0	335.0	14.5	43.5	100	0.8	60	1.3	1631	6

Remark: 1. ### Output, output size, and installation method; *** Internal code.
 2. Customization for special specification and requirement is available.

ELECTRICAL SPECIFICATION 规格型号参考

Unit: mm

Part Number	Cap (μF)	Dimension		Ipeak (KA)	Is (KA)	Imax (A)	ESR (mΩ)	Ls (nH)	Rth (K/W)	Wn (Ws)	Weight (Kg)
		D	H								
UNDC 1800Vdc, Us 2700V, Ur 400V											
K2G182D207KR###***	200	96.0	146.0	4.5	13.5	75	1.8	50	3	400	1.5
K2G182D207KR###***	200	86.0	174.0	3.2	9.6	60	1.6	50	3.4	324	1.2
K2G182D247KR###***	240	116.0	124.0	2.9	8.6	55	2.1	60	3.4	389	1.7
K2G182D267KR###***	260	86.0	225.0	3.1	9.4	75	2	60	2.6	421	1.6
K2G182D367KR###***	360	116.0	178.0	5.8	17.3	100	1.1	50	2.6	583	2.4
K2G182D487KR###***	480	116.0	228.0	5.8	17.3	100	1.3	60	2.1	778	3
K2G182D687KR###***	680	136.0	230.0	8.2	24.5	100	1	60	1.8	1102	4.1
K2G182D108KR###***	1000	136.0	335.0	12	36	100	0.8	60	1.3	1620	6
UNDC 2000Vdc, Us 3000V, Ur 450V											
K2G202D167KR###***	160	86.0	174.0	3	9.1	70	1.8	50	3.4	320	1.2
K2G202D227KR###***	220	86.0	225.0	3.1	9.2	70	2.1	60	2.6	440	1.6
K2G202D307KR###***	300	116.0	178.0	5.7	17.1	90	1.1	50	2.6	600	2.3
K2G202D407KR###***	400	116.0	228.0	5.6	16.8	90	1.3	60	2.1	800	3
K2G202D557KR###***	550	136.0	230.0	7.7	23.1	100	1.1	60	1.8	1100	4
K2G202D607KR###***	600	136.0	260.0	11.4	34.2	100	0.8	50	1.7	1200	4.6
K2G202D807KR###***	800	136.0	335.0	11.2	33.6	100	0.9	60	1.3	1600	6
K2G202D8556KR###***	855	136.0	335.0	11.5	34.5	100	0.9	60	1.3	1710	6
UNDC 2600Vdc, Us 3900V, Ur 600V											
K2G262D177KR###***	170	116.0	178.0	3.4	10.2	60	2.2	50	2.6	575	2.4
K2G262D247KR###***	240	116.0	228.0	3.6	10.8	60	2.7	60	2.1	811	3
K2G262D257KR###***	250	136.0	180.0	5	15	75	1.6	50	2.2	845	3.2
K2G262D337KR###***	330	136.0	230.0	5	14.9	75	2	60	1.8	1115	4
K2G262D487KR###***	480	136.0	340.0	9.4	28.2	100	1	50	1.3	1622	6
UNDC 3000Vdc, Us4500V, Ur 700V											
K2G302D107KR###***	100	116.0	148.0	3.3	9.9	60	2.1	45	3	450	2
K2G302D1256KR###***	125	116.0	178.0	3.3	9.8	60	2.5	50	2.6	563	2.4
K2G302D187KR###***	180	136.0	180.0	4.7	14	70	1.9	50	2.2	810	3.2
K2G302D197KR###***	190	116.0	280.0	6.3	18.8	90	1.3	45	1.7	855	3.8
K2G302D277KR###***	270	136.0	285.0	8.9	26.7	100	1.1	45	1.5	1215	5
K2G302D357KR###***	350	136.0	340.0	9.1	27.3	100	1.2	50	1.3	1575	6
UNDC 3500Vdc, Us 5250V, Ur 800V											
K2G352D756KR###***	75	116.0	148.0	3	9	60	2.4	45	3	459	2
K2G352D107KR###***	100	136.0	150.0	4	12	60	1.9	45	2.6	613	2.9
K2G352D137KR###***	130	116.0	228.0	3	9	60	3.6	60	2.1	796	3
K2G352D157KR###***	150	116.0	280.0	6	18	80	1.4	45	1.7	919	3.7
K2G352D187KR###***	180	136.0	230.0	4.1	12.4	70	2.7	60	1.8	1103	4
K2G352D217KR###***	210	136.0	285.0	8.4	25.2	100	1.1	45	1.5	1286	5
UNDC 4000Vdc, Us 6000V, Ur 900V											
K2G402D756KR###***	75	116.0	178.0	2.9	8.6	50	3.2	50	2.6	600	2.4
K2G402D107KR###***	100	116.0	228.0	2.8	8.4	50	4.1	60	2.1	800	3
K2G402D117KR###***	110	136.0	180.0	4.2	12.5	60	2.3	50	2.2	880	3.2
K2G402D157KR###***	150	136.0	230.0	4.2	12.6	60	2.8	60	1.8	1200	4
K2G402D217KR###***	210	136.0	340.0	8	23.9	100	1.3	50	1.3	1680	6

Remark: 1. ### Output, output size, and installation method; *** Internal code.
2. Customization for special specification and requirement is available.