

### GENERAL TECHNICAL CHARACTERISTICS 技术特性

Reference standards 参考标准	IEC 61071, IEC 60068
Dielectric 介质材料	Polypropylene film
Construction 封装结构	Dry construction, non-inductive type
Case 外壳材料	Solvent resistant plastic case. Flammability class UL94V-0
Output 引出端	Threaded insert M6 or M8, Lead screw M8 or M10

### ELECTRICAL CHARACTERISTICS 电气特性

Operating temperature 工作温度范围	- 40 to + 85 °C (hotspot temperature)
Capacitance range 容量范围	6.8 to 500 $\mu$ F
Rated voltage range 额定电压	500 to 2200 Vdc
Capacitance tolerance 容量偏差	$\pm$ 5%, $\pm$ 10%
Dissipation factor 损耗角正切	$\leq 2.0 \times 10^{-3}$ Measured at 100 Hz and 20 $\pm$ 5°C
Life expectancy 预期寿命	100,000 hours at $U_{NDC}$ and 70 °C (Hot-spot temperature)

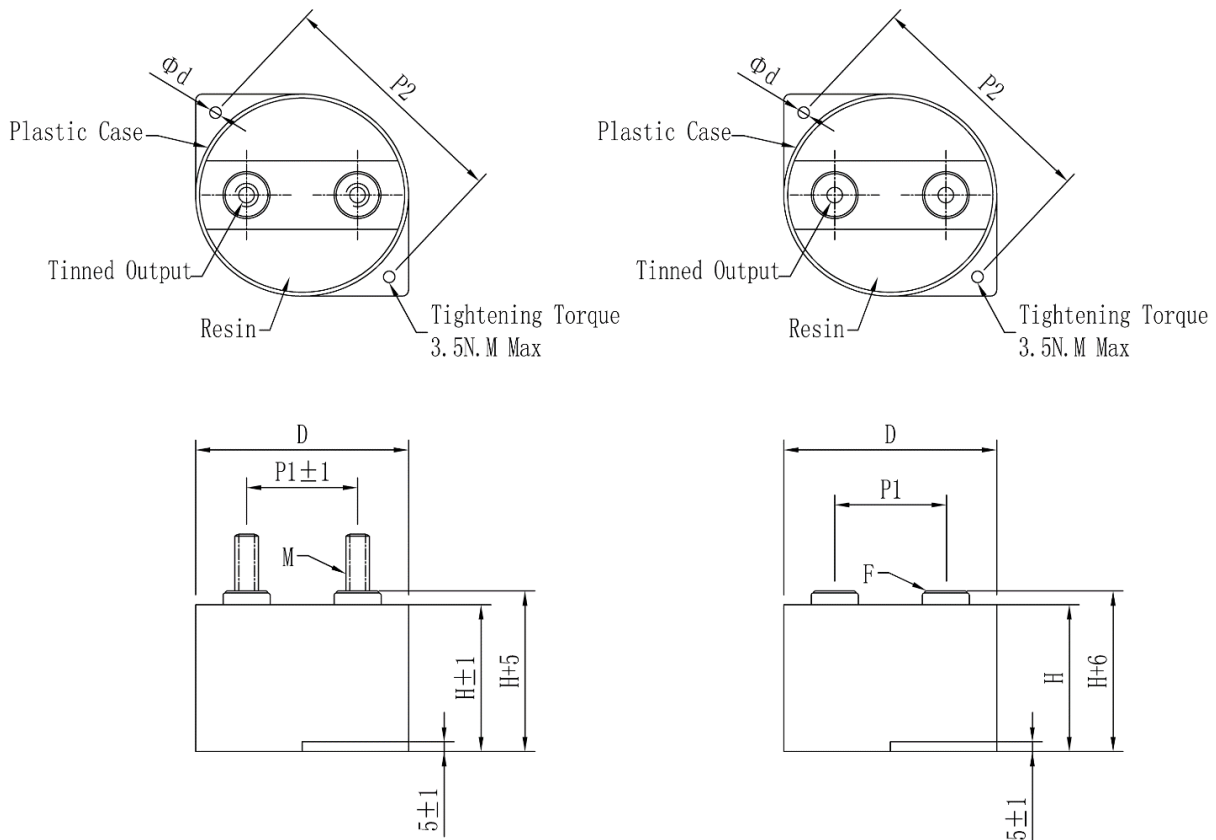
### TEST METHODS AND PERFORMANCES 测试方法

Dielectric strength 介质强度	$1.5 \times U_{NDC}$ applied to 10s at 20 $\pm$ 5 °C
Test voltage terminal to case 端壳耐压	3KVAC/50Hz for 10s
Insulation resistance(IR*C <sub>N</sub> ) 绝缘电阻	$\geq 5000s$ but need not exceed 30G $\Omega$ , after 1 minute of electrification at 100VDC (20 $\pm$ 5°C)

### OVER-VOLTAGE 过压保护

$1.10 \times U_{NDC}$ for maximum 8 Hour per day
$1.15 \times U_{NDC}$ for maximum 30 minimum per day
$1.20 \times U_{NDC}$ for maximum 5 minimum per day
$1.30 \times U_{NDC}$ for maximum 1 minimum per day
$1.50 \times U_{NDC}$ for 30 ms no more than 1000 times

### OUTLINE DRAWING 外形图



Case code	D (mm)	Out put				P1 (mm)	P2 (mm)	d (mm)
		F	Torque (N.M Max)	M	Torque (N.M Max)			
A	87	M6*8	4.5	M8*20	8.5	45 $\pm$ 1	101	5.5
B	115	M8*8	6.0	M10*20	12	60 $\pm$ 1	133	6.5

### HOW TO ORDER:

<u>    K2FL    </u>	<u>    901D    </u>	<u>    107    </u>	<u>    K    </u>	<u>    R    </u>	<u>    F    </u>	<u>    6    </u>	<u>    A    </u>	<u>    ***    </u>
Series Code:	Voltage:	Capacitance:	Cap. Tol.:	Shape:	Output:	Output	Case Code:	Internal
K2FL:	901D: 900Vdc	107: 100 $\mu$ F	J: $\pm$ 5%,	R: Round	F: Thread	Size:	A, B	Code
ADF-L Series	102D: 1000Vdc	1256: 125 $\mu$ F	K: $\pm$ 10%		M: Lead screw	6: M6*8		
		105: 1 $\mu$ F				8: M8*8		
						9: M8*20		
						0: M10*20		

### ELECTRICAL SPECIFICATION 规格型号参考

Unit: mm

Series: ADF-L

Part Number	Cap ( $\mu$ F)	Dimension		Ls max. (nH)	Du/dt (v/ $\mu$ s)	Imax @45°C @10KHz (A)	ESR @1.0KHz (m $\Omega$ )	Rth (K/W)
		D	H					
<b>U<sub>NDC</sub> 500Vdc, Us 750V, Ur 150V</b>								
K2FL501D1256KR##A***	125	87.0	41.0	25	37	90	1.1	6.8
K2FL501D207KR##A***	200	87.0	51.0	32	25	90	1.5	5.9
K2FL501D2756KR##A***	275	87.0	65.0	40	16	85	1.5	5.0
K2FL501D357KR##B***	350	115.0	51.0	32	25	120	1.3	4.1
K2FL501D507KR##B***	500	115.0	65.0	40	26	125	1.3	3.5
<b>U<sub>NDC</sub> 700Vdc, Us 1050V, Ur 200V</b>								
K2FL701D107KR##A***	100	87.0	41.0	25	48	90	1.1	6.8
K2FL701D157KR##A***	150	87.0	51.0	32	32	90	1.4	5.9
K2FL701D227KR##A***	220	87.0	65.0	40	21	85	1.5	5.0
K2FL701D257KR##B***	250	115.0	51.0	32	32	115	1.3	4.1
K2FL701D357KR##B***	350	115.0	65.0	40	21	120	1.4	3.5
<b>U<sub>NDC</sub> 900Vdc, Us 1350V, Ur 250V</b>								
K2FL901D686KR##A***	68	87.0	41.0	25	56	80	1.2	6.8
K2FL901D107KR##A***	100	87.0	51.0	32	37	80	1.5	5.9
K2FL901D147KR##A***	140	87.0	65.0	40	25	75	1.6	5.0
K2FL901D207KR##B***	200	115.0	51.0	32	37	110	1.3	4.1
K2FL901D307KR##B***	300	115.0	65.0	40	25	115	1.4	3.5
<b>U<sub>NDC</sub> 1100Vdc, Us 1650V, Ur 300V</b>								
K2FL112D476KR##A***	47	87.0	41.0	25	73	75	1.2	6.8
K2FL112D686KR##A***	68	87.0	51.0	32	49	75	1.5	5.9
K2FL112D107KR##A***	100	87.0	65.0	40	33	70	1.7	5.0
K2FL112D1256KR##B***	125	115.0	51.0	32	49	105	1.4	4.1
K2FL112D187KR##B***	180	115.0	65.0	40	33	110	1.5	3.5

Remark: 1. ## Output and output size; \*\*\* Internal code.

2. Customization for special specification and requirement is available.

### HOW TO ORDER:

<u>  K2FH  </u>	<u>  901D  </u>	<u>  107  </u>	<u>  K  </u>	<u>  R  </u>	<u>  F  </u>	<u>  6  </u>	<u>  A  </u>	<u>  ***  </u>
Series Code:	Voltage:	Capacitance:	Cap. Tol.:	Shape:	Output:	Output	Case Code:	Internal
K2FH:	901D: 900Vdc	107: 100 $\mu$ F	J: $\pm$ 5%,	R: Round	F: Thread	Size:	A, B	Code
ADF-H Series	102D: 1000Vdc	1256: 125 $\mu$ F	K: $\pm$ 10%		M: Lead screw	6: M6*8		
		105: 1 $\mu$ F				8: M8*8		
						9: M8*20		
						0: M10*20		

### ELECTRICAL SPECIFICATION 规格型号参考

Unit: mm

Series: ADF-H

Part Number	Capacitance ( $\mu$ F)	Dimension		Ls max. (nH)	Du/dt (v/ $\mu$ s)	Imax @45°C @10KHz (A)	ESR @1.0KHz (m $\Omega$ )	Rth (K/W)
		D	H					
<b>U<sub>NDC</sub> 600Vdc, Us 960V, Ur 150V</b>								
K2FH601D107KR##A***	100	87.0	41.0	25	40	80	1.1	6.8
K2FH601D157KR##A***	150	87.0	51.0	32	27	80	1.4	5.9
K2FH601D227KR##A***	220	87.0	65.0	40	18	75	1.5	5.0
K2FH601D307KR##B***	300	115.0	51.0	32	27	110	1.3	4.1
K2FH601D477KR##B***	470	115.0	65.0	40	18	120	1.3	3.5
<b>U<sub>NDC</sub> 800Vdc, Us 1280V, Ur 200V</b>								
K2FH801D686KR##A***	68	87.0	41.0	25	56	75	1.2	6.8
K2FH801D107KR##A***	100	87.0	51.0	32	37	75	1.3	5.9
K2FH801D147KR##A***	140	87.0	65.0	40	25	70	1.6	5.0
K2FH801D307KR##B***	200	115.0	51.0	32	37	110	1.3	4.1
K2FH801D307KR##B***	300	115.0	65.0	40	25	120	1.4	3.5
<b>U<sub>NDC</sub> 1000Vdc, Us 1600V, Ur 250V</b>								
K2FH102D476KR##A***	47	87.0	41.0	25	73	70	1.2	6.8
K2FH102D686KR##A***	68	87.0	51.0	32	49	70	1.5	5.9
K2FH102D107KR##A***	100	87.0	65.0	40	33	65	1.7	5.0
K2FH102D147KR##B***	140	115.0	51.0	32	49	105	1.3	4.1
K2FH102D207KR##B***	200	115.0	65.0	40	33	110	1.4	3.5
<b>U<sub>NDC</sub> 1200Vdc, Us 1920V, Ur 300V</b>								
K2FH122D256KR##A***	25	87.0	41.0	25	90	60	1.3	6.8
K2FH122D356KR##A***	35	87.0	51.0	32	70	60	1.7	5.9
K2FH122D506KR##A***	50	87.0	65.0	40	50	65	1.9	5.0
K2FH122D606KR##B***	60	115.0	51.0	32	70	100	1.4	4.1
K2FH122D806KR##B***	80	115.0	65.0	40	50	110	1.6	3.5
<b>U<sub>NDC</sub> 1500Vdc, Us 2400V, Ur 350V</b>								
K2FH152D186KR##A***	18	87.0	41.0	25	113	55	1.4	6.8
K2FH152D256KR##A***	25	87.0	51.0	32	85	55	1.8	5.9
K2FH152D356KR##A***	35	87.0	65.0	40	60	50	2.1	5.0
K2FH152D476KR##B***	47	115.0	51.0	32	85	100	1.5	4.1
K2FH152D686KR##B***	68	115.0	65.0	40	60	105	1.6	3.5
<b>U<sub>NDC</sub> 1800Vdc, Us 2880V, Ur 400V</b>								
K2FH182D106KR##A***	10	87.0	41.0	25	175	50	1.5	6.8
K2FH182D156KR##A***	15	87.0	51.0	32	120	50	1.9	5.9
K2FH182D226KR##A***	22	87.0	65.0	40	80	45	2.2	5.0
K2FH182D256KR##B***	25	115.0	51.0	32	120	90	1.6	4.1
K2FH182D356KR##B***	35	115.0	65.0	40	80	100	1.8	3.5
<b>U<sub>NDC</sub> 2200Vdc, Us 3520V, Ur 450V</b>								
K2FH222D685KR##A***	6.8	87.0	41.0	25	200	50	1.6	6.8
K2FH222D106KR##A***	10	87.0	51.0	32	150	50	2.1	5.9
K2FH222D156KR##A***	15	87.0	65.0	40	100	45	2.5	5.0
K2FH222D186KR##B***	18	115.0	51.0	32	150	90	1.7	4.1
K2FH222D256KR##B***	25	115.0	65.0	40	100	100	2.0	3.5

Remark: 1. ## Output and output size; \*\*\* Internal code.

2. Customization for special specification and requirement is available.